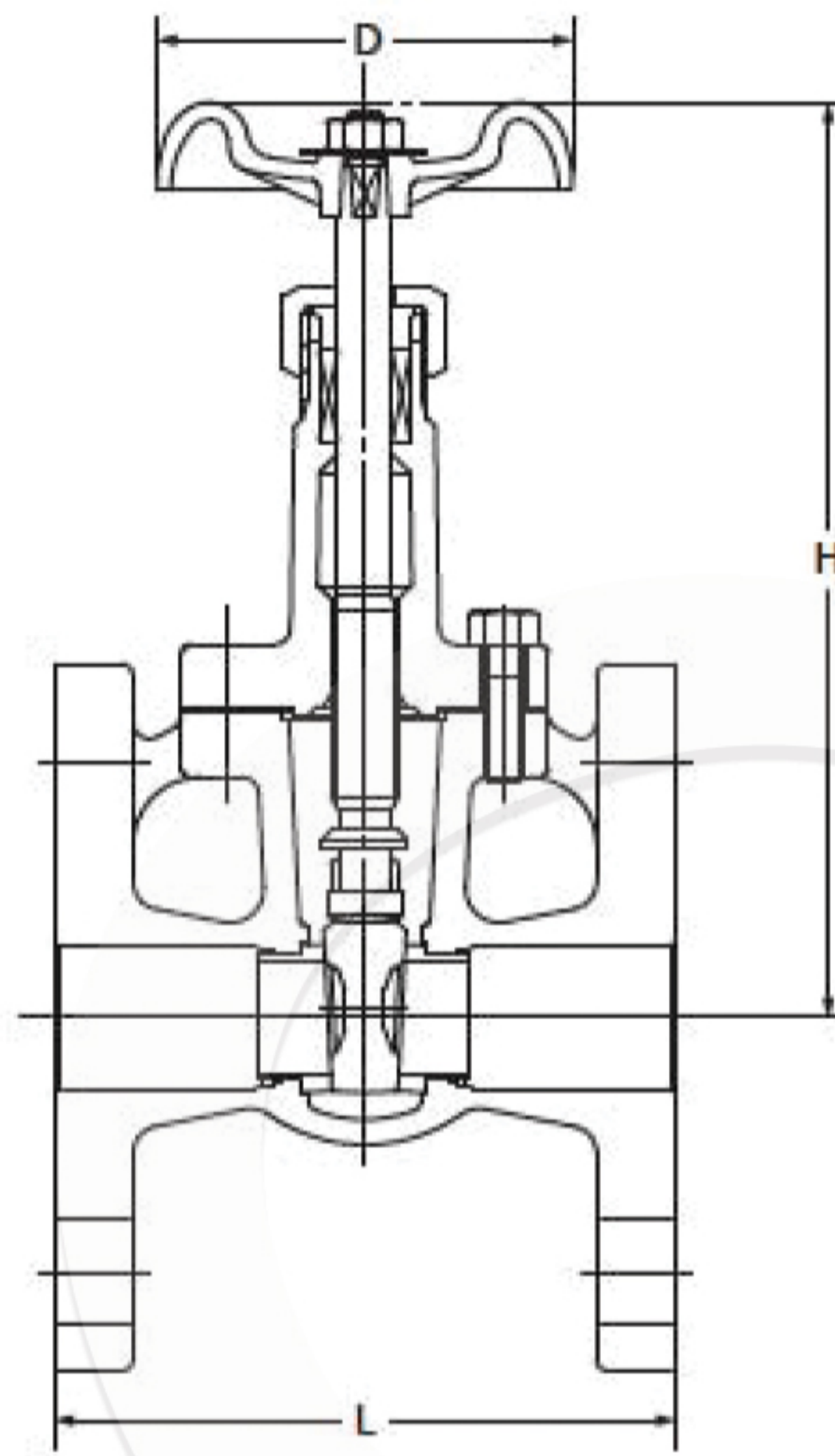


# 10K Gate Valve

**10SMBF**

B.B.I.S.

FF-flanged



Face to face : JV4-4  
End connection : JIS B 2239 10K

120°C Static water..... 1.4MPa  
220°C Steam, air, gas, oil..... 1.2MPa  
300°C Steam, air, gas, oil..... 1.0MPa

●Use for lubricating or hydraulic oil is acceptable. Contact KITZ Corporation for technical advice, if valves are used as heat transfer media.

**Materials**

Parts	JIS material
Body	FCD-S
Bonnet	FCD-S
Stem	SUS420J2
Disc	SCS1
Body seat ring	SUS403
Gland	SUS420J2(1½" : SUS403)
Gland packing	Non-asbestos Packing
Handwheel	FCD450-10
Bonnet bolt	Carbon Steel
Gasket	Non-asbestos Sheet
Name plate	A1050P

**Dimensions**

Size	mm						
	mm	15	20	25	32	40	50
	inch	½	¾	1	1¼	1½	2
L		90	100	110	120	130	140
H (open)		164	165	188	219	253	285
D		70	70	80	90	100	115

NOTE : For flange dimensions, refer to Page 44. ※RF-flanged ends shall be optionally available.